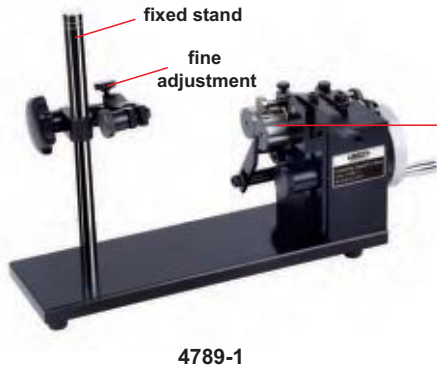
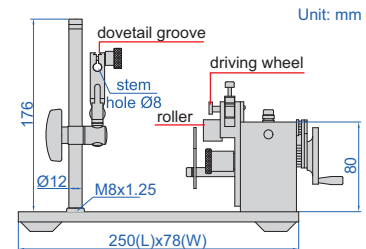
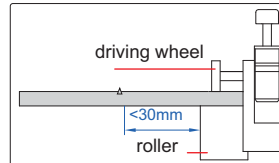


CONCENTRICITY GAGES



- Accuracy 2 μ m
- Optional accessory: dial test indicator

to ensure the accuracy 2 μ m,
the distance between measuring
point and roller should be <30mm



4789-1

Code	Applicable diameter	Remark
4789-1	Ø3.5-25mm	fixed stand, high accuracy, inconvenient operation
4789-2	Ø1-25mm	fixed stand, high accuracy, inconvenient operation
4789-3	Ø1-25mm	fixed stand, high accuracy, inconvenient operation
4789-1A	Ø3.5-25mm	universal stand, low accuracy, convenient operation
4789-2A	Ø1-25mm	universal stand, low accuracy, convenient operation
4789-3A	Ø1-25mm	universal stand, low accuracy, convenient operation